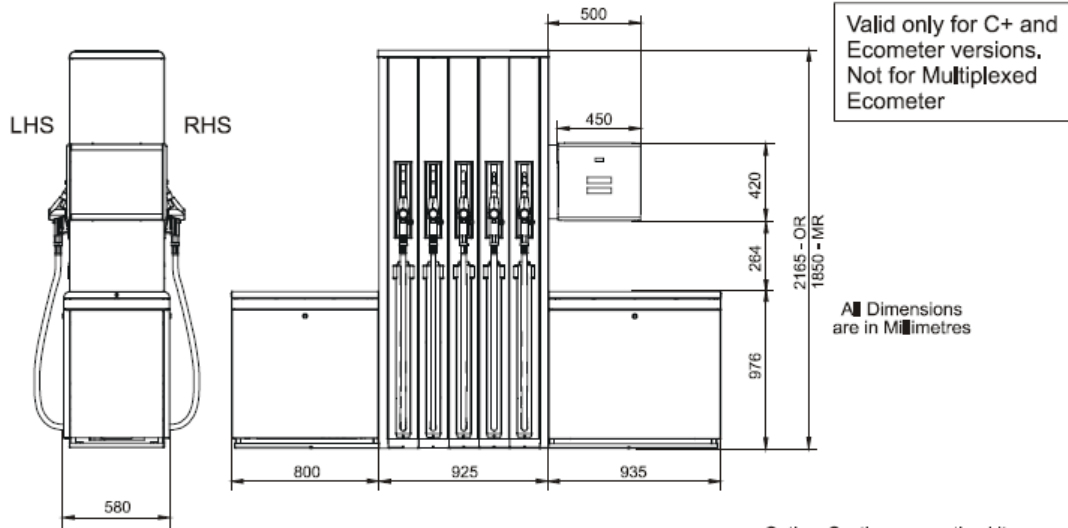
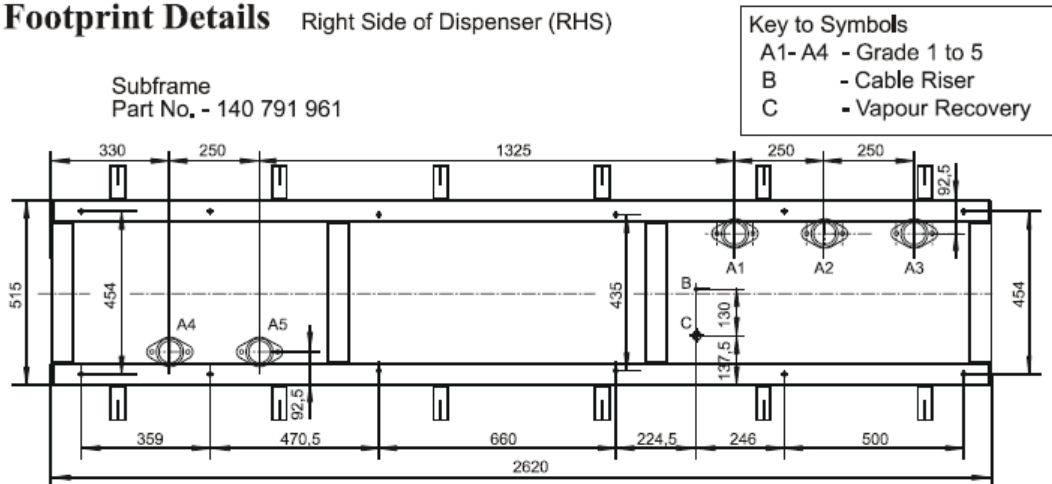


Overall Dimensions

5 Product, 40 l/min, Suction Pump with Vap. Rec. & Preset



Footprint Details Right Side of Dispenser (RHS)



Left Side of Dispenser (LHS) *It is recommended that Vapour Recovery return pipes are installed where this may be a future requirement.

Module Configuration

Right Hand Side of Dispenser

